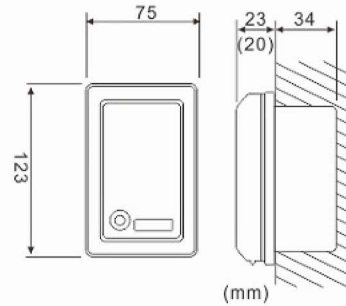


# KEY-SWITCH

## LK-310 (Resessed mounting)

- LED display
- Tamper switch provided
- Fit 19Ø key cylinders
- Contact rating: Key switch: AC125V / 3A  
Tamer switch: AC125V / 1A



**LK-305A** (Stainless steel plate, On/Off type)

**LK-305B** (Stainless steel plate, Momentary type)

**LK-305C** (Stainless steel plate, With doorbell push-Button)

- LED display
- Tamper switch provided
- Fit 19Ø key cylinders
- Contact rating: Key switch: AC125V / 3A  
Tamer switch: AC125V / 1A



## LK-305D



## LK-305E

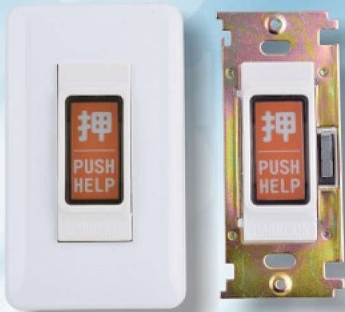


**LK-4500A** (Recessed mounting)

**LK-4500AT** (Stainless steel plate, Recessed mounting)

# PANIC-BUTTON

- Contact action: NO/NC
- Contact rating: AC 125V / 1A
- Tamper switch provided  
contact rating: AC 125V / 1A



## LK-4700A

(Rainproof recessed mounting)

- NO(1A/125VAC)

