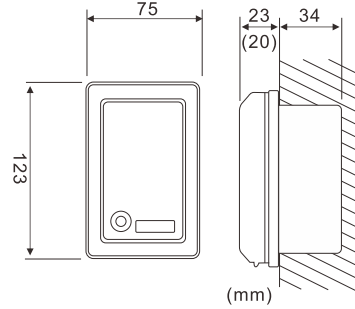


KEY-SWITCH

LK-310 (Recessed mounting)

- LED display
- Tamper switch provided
- Fit 19Ø key cylinders
- Contact rating: Key switch: AC125V / 3A
Tamer switch: AC125V / 1A



- LK-305A** (Stainless steel plate, On/Off type)
- LK-305B** (Stainless steel plate, Momentary type)
- LK-305C** (Stainless steel plate, With doorbell push-Button)

- LED display
- Tamper switch provided
- Fit 19Ø key cylinders
- Contact rating: Key switch: AC125V / 3A
Tamer switch: AC125V / 1A



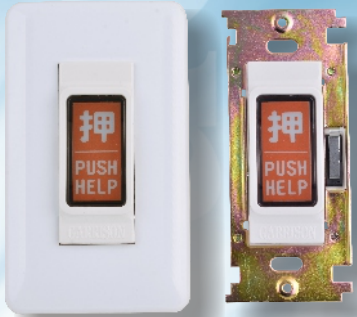
LK-305D



LK-305E



- LK-4500A** (Recessed mounting)
- LK-4500AT** (Stainless steel plate, Recessed mounting)

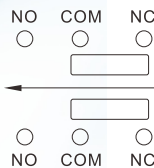
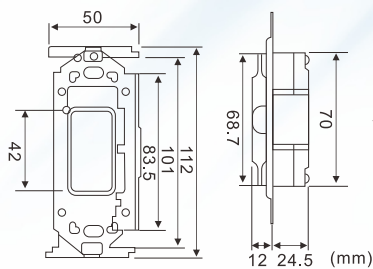


PANIC-BUTTON

- Contact action: NO/NC
- Contact rating: AC 125V / 1A
- Tamper switch provided
contact rating: AC 125V / 1A

LK-4600A (Recessed mounting)

- NO/NC(1A/125VAC)
- One-touch(Push ON)
Two-step(ON/OFF)



LK-4700A

(Rainproof recessed mounting)

- NO(1A/125VAC)

