

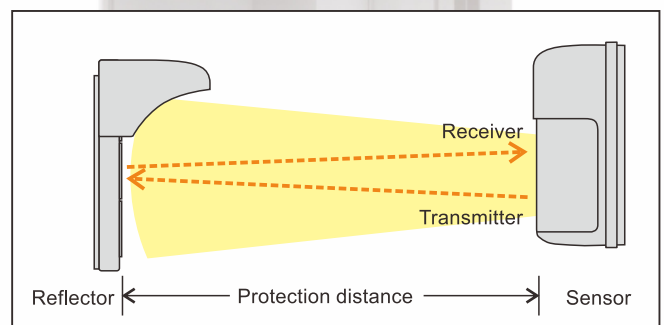
Reflector-Beam Infrared Photobeam Sensor

LK-16HR

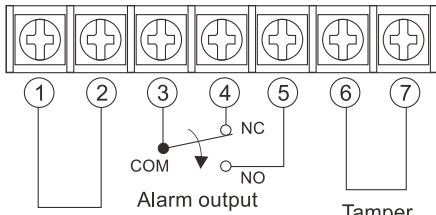


Features

- Suitable for both indoor and outdoor use.
- Protection distance **outdoor 16m, indoor 20m**.
- Easy installation, as wiring is needed on the sensor side only.
- External light protection.
- Applications include entrances and exits, corridors, doorways, garages, gates. A place where it is difficult to wire on two sides.



Wiring

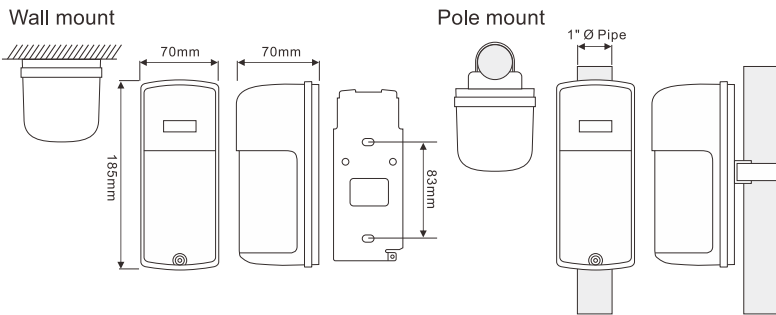


Power 11~30V DC
(Non-polarity)

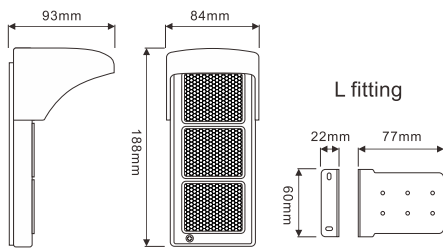
Tamper
(Opens when cover
is removed)

Dimensions

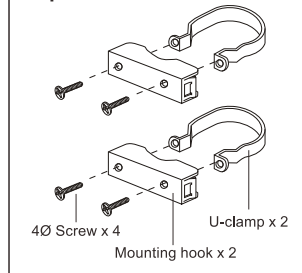
Sensor



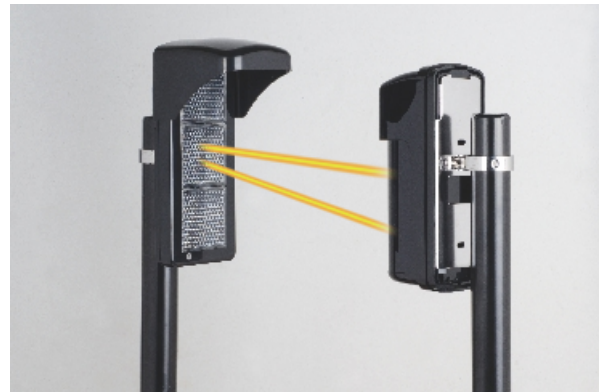
Reflector



Option Parts



Pole mount



Specification

Model	LK-16HR
Protection distance	Outdoor 16m, Indoor 20m
Infrared wavelength	940nm
Response time	50~800msec (variable)
Power input	11~30VDC (no polarity)
Power consumption (at 12VDC input)	45mA
Alarm LED	Red LED on: When an alarm is initiated
Attenuation LED	Yellow LED on: When beam is attenuated
Optical alignment	Volt monitor output
Alarm duration	1±0.5sec
Relay output	Form C relay dry contact, 1A/120VAC, 2A/24VDC (resistor load)
Tamper	Open when cover is removed (1A/120VAC)
Alignment angle	Vertical ±15°, Horizontal ±90°
IP rating	IP66
Mounting positions	Outdoor / Indoor
Mounting	Wall mount or pole mount
Operation temperature	-25°C ~ +60°C
Dimension	Sensor: 185 ^L x70 ^W x70 ^D mm, Reflector with hood: 188 ^L x84 ^W x93 ^D mm
Accessories	Hood x 1, metal mounting bracket x 2, L fitting x 1, tapping screw x 4, 4Øx6 screw x 2

* The specifications are subject to change without notice.