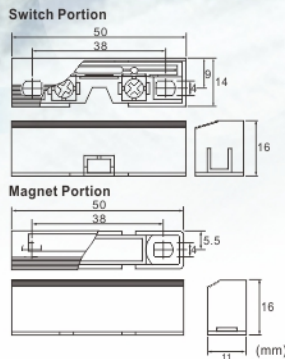


# Magnetic Switch



## LK-152N Magnetic Switch

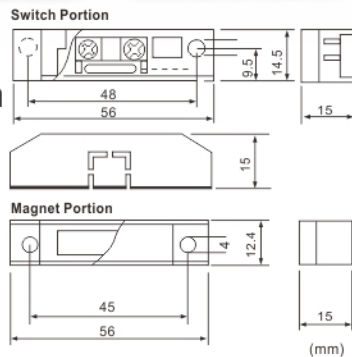
- Contact Rating: 0.2A 30VDC
- Contact Capacity: 5W
- Operating Distance: 25 mm(cc)
- Housing Material: ABS resin(brown, Gray, Ivory)



Plastic pad

## LK-154 Magnetic Switch

- Contact Rating: 0.2A 30VDC
- Contact Capacity: 5W
- Operating Distance: 25 mm(cc)
- Housing Material: ABS resin  
(brown, Gray, Ivory)

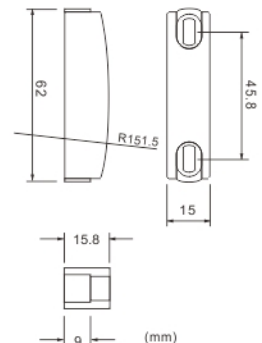


## LK-155 Magnetic Switch



Plastic pad

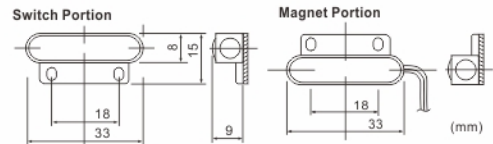
- Contact Rating: 0.2A 30VDC
- Contact Capacity: 5W
- Operating Distance: 30 mm(cc)
- Lead Length: 280mm(22AWG)
- Housing Material: ABS resin  
(brown, Gray, Ivory)



## LK-153 Tiny Magnetic Switch



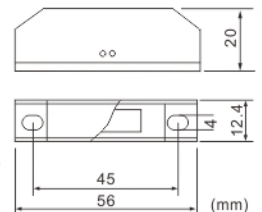
- Contact Rating: 0.2A 30VDC
- Contact Capacity: 5W
- Operating Distance: 15 mm(cc)
- Lead Length: 300mm
- Housing Material: ABS resin (brown, Ivory)



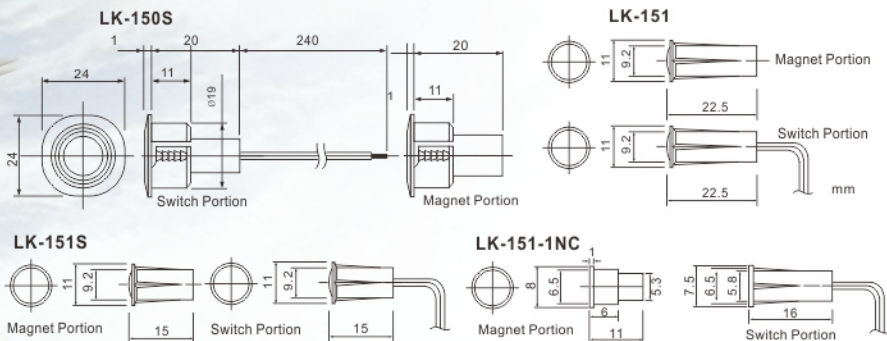
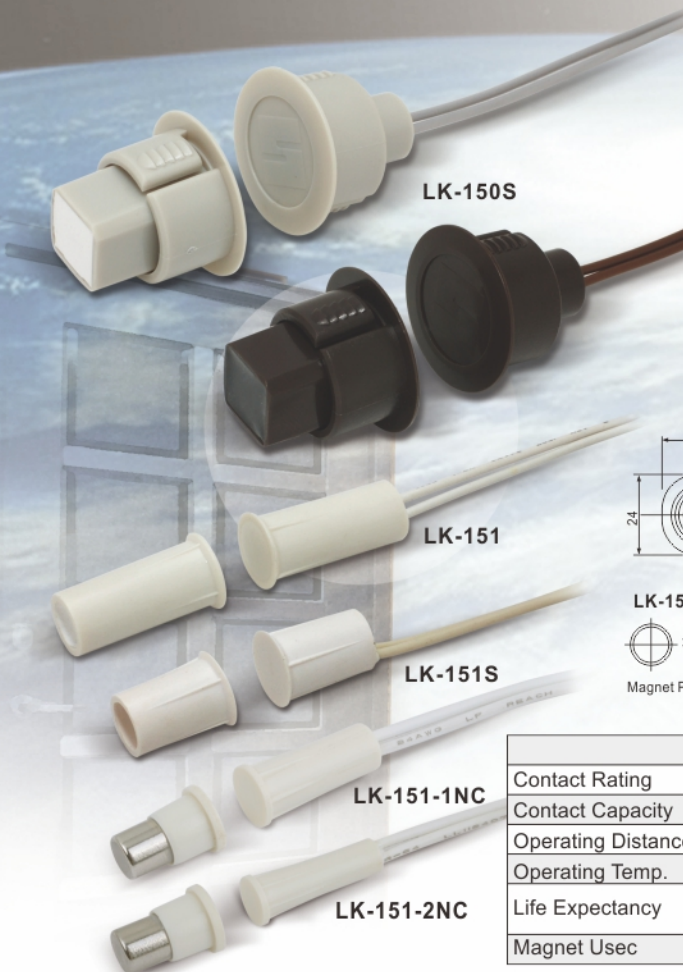
## LK-156



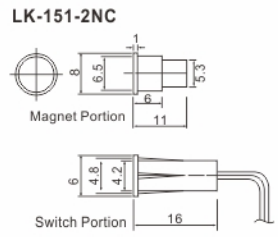
- Steel door protection
- Contact Rating: 0.1A 100VDC
- Contact Capacity: 10W
- Operating Distance: 2.5 mm(cc)
- Lead Length: 300mm(22AWG)



**LK-150S** for steel door  
**LK-151** for wood or aluminum door  
**LK-151S** for wood or aluminum door  
**LK-151-1NC** for wood or aluminum door  
**LK-151-2NC** for wood or aluminum door

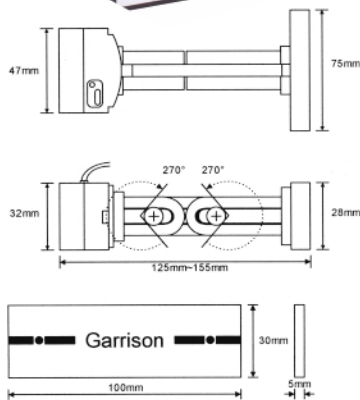


	LK-150S	LK-151/LK-151S	LK-151-1NC/LK-151-2NC
Contact Rating	0.2A/50 VDC		0.2A/30 VDC
Contact Capacity	8 watt		5 watt
Operating Distance	25mm(min.)	15mm(min.)	17mm(min.)
Operating Temp.	-20°C~+60°C		
Life Expectancy	Over 1 million cycles of operations at 0.5A@12VDC		
Magnet Usec	Nd FeB N35		



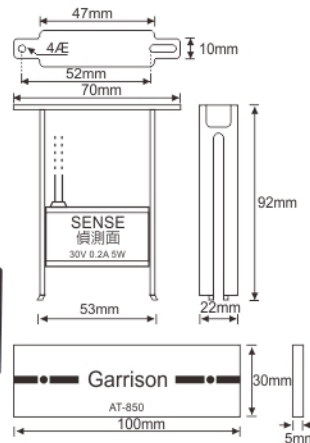
**AT-840 Shutter Contacts**  
 (Two-way 270° Rotatable Bracket)

- Magnetic contact protection for shutters and large-sized doors
- Contact Rating: 0.2A 30VDC
- Contact Capacity: 5W
- Operating Distance: 90 mm(cc)



**AT-850 Shutter Contacts**  
 (Stainless Steel Bracket)

- Magnetic contact protection for shutters and large-sized doors
- Contact Rating: 0.2A 30VDC
- Contact Capacity: 5W
- Operating Distance: 90 mm(cc)
- Lead Length: 270mm(22AWG)



**AT-860 Shutter Contacts**

- Surface mount, magnetic contact protection for shutters and large sized doors
- Contact Rating: 0.2A 30VDC
- Contact Capacity: 5W
- Operating Distance: 40 mm(max.)

